

**Model**

RET330

Product Description

Slicer, 330mm, Retro Flywheel

Product Code

5S522N

Standard Features

- Beautifully crafted, showpiece vertical slicer
- Available with retro style pedestal (sold separately)
- Featuring perfectly balanced chrome plated steel blade for perfect slicing
- Able to produce very thin, accurate, sliced meats without discards and scraps
- Designed to cut all kinds of cold cuts and cured meats
- Hand crafted in aluminium and stainless steel and finished in red enamel (as standard – other colours available as special order)
- Meat table and blade movement are fully co-ordinated and geared to the rotation of the flywheel
- Product being sliced moves automatically towards the blade
- Double sliding plate with lockable hand grip holds meat securely in place to ensure consistent slicing

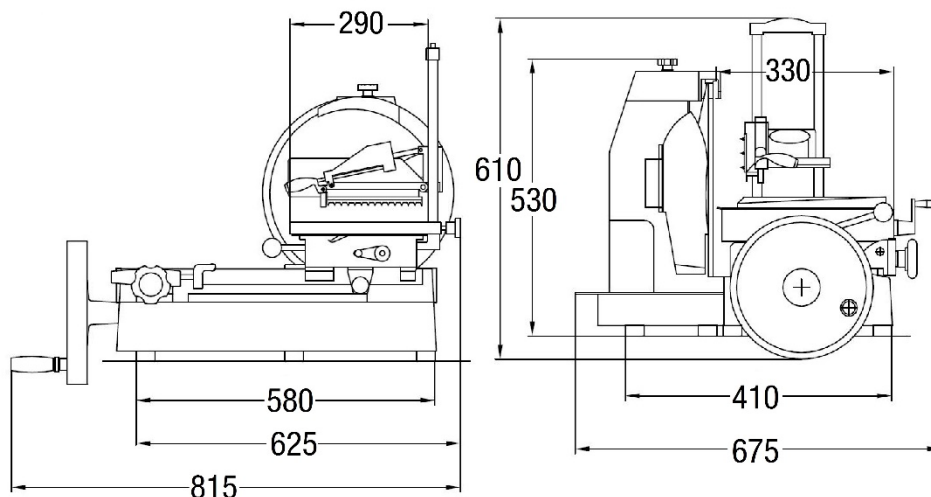
Standard Accessories

1 x Tasteless Slicer Oil

WarrantyCovered by Metcalfe 2-year warranty (1st year parts and labour, 2nd year parts only) and full after sales service**Optional Accessories**

| Item |
|------------------------------------|
| Painting Customisation |
| Cast Iron Pedestal with Round Base |

Drawing



Specifications

| Model | Blade (mm) | Cutting Capacity (mm) | | Carriage Movement (mm) | Max Slice Thickness (mm) |
|--------|------------|-----------------------|-------------|------------------------|--------------------------|
| RET330 | 330 | ● 235 | □ 235 x 295 | 290 | 0 - 1.5 |

Dimensions | Shipping Information

| Model | Overall Dimensions D x W x H (mm) | Net Weight (kg) | Packed Dimensions D x W x H (mm) | Packed Weight (kg) | Volume (m3) |
|--------|-----------------------------------|-----------------|----------------------------------|--------------------|-------------|
| RET330 | 675 x 815 x 610 | 62 | 950 x 950 x 880 | 92 | 0.794 |

We reserve the right to alter the specification and technical details for this item at any time without prior notice.

6/2023

Metcalfe Catering Equipment Ltd

Haygarth Park

Blaenau Ffestiniog

Gwynedd, LL41 3PF

